

DRAWING No: A027-001  
 ISSUE: A

CRITICAL DIMENSION  
 --- DENOTES SEEN FACE

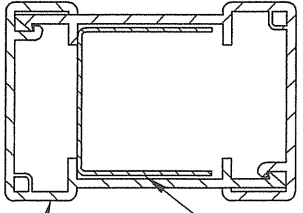
ALL DIMENSIONS IN  
 MILLIMETRES UNLESS OTHERWISE STATED

ITEM	QUANTITY	DESCRIPTION	REFERENCE
1	1	TRADITIONAL PICKET STRINGER WHITE	HA0160010001
2	1	BOXED PICKET WHITE	HA0160030001
3	4	EVENT FENCING BRACKET	HE1600010003

NOTE: BLACK BRACKETS SUPPLIED WITH ITEM 1 (HA0160010001) ARE NOT REQ'D

4 OFF PICKET RAIL  
 1813MM LONG  
 P/N 1386-001

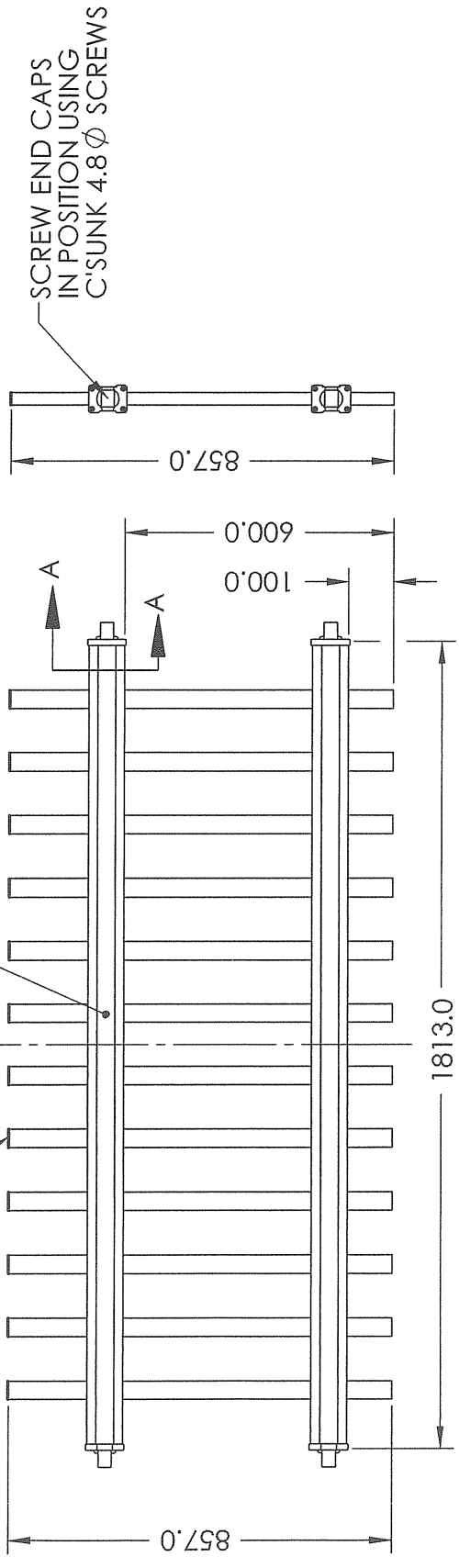
2 OFF PICKET RAIL STEEL  
 1812MM LONG  
 P/N B00180



SECTION A-A  
 SCALE 1:2  
 SHOWING PICKET  
 RAIL ASSEMBLY

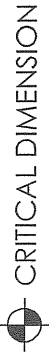
PICKETS TO BE SUPPLIED COMPLETE WITH 12 OFF PICKET CAPS, EITHER:  
 FLAT P/N E143-001  
 HALF ROUND P/N E145-001  
 PYRAMID P/N E144-001  
 FINIAL P/N E146-001  
 FLAT CAP INC' AS PART OF HA0160010001

SCREW PICKETS IN PLACE USING 3.9 x 25MM LONG SELF DRILLING SCREWS C/W PLASTIC CAPS, CAP TYPE WHITE HE1550010001



ISSUE:	ISSUE:	ISSUE:	ISSUE:	ISSUE:	ISSUE:	ISSUE:	ISSUE:	ISSUE:	ISSUE:	ISSUE:	ISSUE:	ISSUE:	ISSUE:
A	B	C	D	E	F	G	H	I	J	K	L	M	N
DATE:	DATE:	DATE:	DATE:	DATE:	DATE:	DATE:	DATE:	DATE:	DATE:	DATE:	DATE:	DATE:	DATE:
04-03-08													
C.J.S.													
<p>● OPERATOR INSEPECTION HOURLY</p> <p>AREA: N/A            WEIGHT: N/A            LENGTH TOLERANCE: N/A            GENERAL TOLERANCE: ±2.0mm UOS</p>													
<p>● SECOND OPERATION REQUIRED</p>													
<p>THIS DRAWING IS THE PROPERTY OF HL PLASTICS LTD AND MAY NOT BE REPRODUCED OR USED FOR ANY PURPOSE OTHER THAN THAT FOR WHICH IT IS SUPPLIED WITHOUT THE WRITTEN CONSENT OF HL PLASTICS LTD.</p>													
<p>DRAWN: C.J. SHARPE            WALL THICKNESS: N/A</p>													
<p>CHECKED: APPROVED:</p>													
<p>DATE: 04-03-08            CUSTOMER: LINIAR            SCALE: 1:20 UOS</p>													
<p>TITLE: EVENT FENCING PANEL            PART NO: N/A            DRAWING No: A027-001 A</p>													
<p>HL PLASTICS EXTRUSIONS            Duffield Road, Little-Eaton, Derby, DE21 5EH            Tel: +44 1332 832389, Fax: +44 1332 830867, sales@hlplasticsthd.co.uk</p>													
<p>3RD ANGLE PROJECTION            SIZE: A4            MATERIAL: PVC</p>													

DRAWING No: **A028/001** ISSUE: **A**

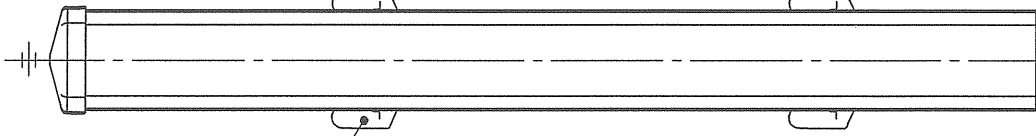


**CRITICAL DIMENSION**

----- DENOTES SEEN FACE

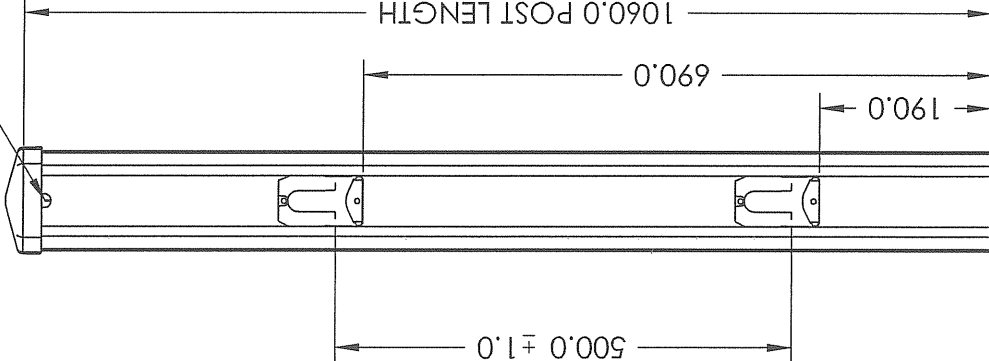
ALL DIMENSIONS IN MILLIMETRES UNLESS OTHERWISE STATED

ITEM No	QTY	DESCRIPTION	PART REF
1	1/2	INLINE POST	H13880010020
2	4	MALE EVENT FENCING BRACKET	HE1600010002
3	1	PLAIN POST CAP	HE1410010001



SCREW ITEM 2  
ON TO POST USING  
4.2 X 20MM LONG  
PAN HD SCREWS  
IN 2 PLACES

SCREW ITEM 3  
TO POST USING  
4.2 X 20MM LONG  
PAN HD SCREWS  
IN TWO PLACES



NOTES  
 • FABRICATOR TO SOURCE BZP  
 • 4.2 X 20MM PAN HEAD SCREWS  
 • POST WILL BE SUPPLIED IN 2134MM  
 LENGTH AND FABRICATOR TO CUT

ISSUE: A 05-03-08 DRAWN: C.J.S.	ISSUE: B - DRAWN: -	ISSUE: C - DRAWN: -	ISSUE: D - DRAWN: -
● OPERATOR INSPECTION HOURLY			
AREA:	N/A		
WEIGHT:	N/A		
LENGTH TOLERANCE:	N/A		
GENERAL TOLERANCE:	±1.0mm UOS		
● SECOND OPERATION REQUIRED			

THE DRAWING IS THE PROPERTY OF HL PLASTICS LTD AND MAY NOT BE COPIED OR USED FOR ANY PURPOSE OTHER THAN THAT FOR WHICH IT IS SUPPLIED WITHOUT THE WRITTEN CONSENT OF HL PLASTICS LTD. 3RD ANGLE PROJECTION		DRAWN: C.J. SHARPE	WALL THICKNESS: N/A
AREA: N/A WEIGHT: N/A LENGTH TOLERANCE: N/A GENERAL TOLERANCE: ±1.0mm UOS	SIZE: A4 MATERIAL: PVC		

CHECKED:	APPROVED:
DATE: 05-03-08	TITLE: EVENT FENCING POST ASSY
CUSTOMER: LINIAR	PART NO. N/A
SCALE: 1 : 8 UOS	DRAWING No: A028-001 A

B00291

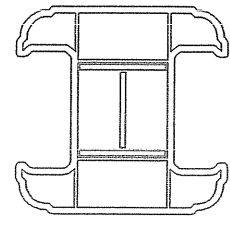
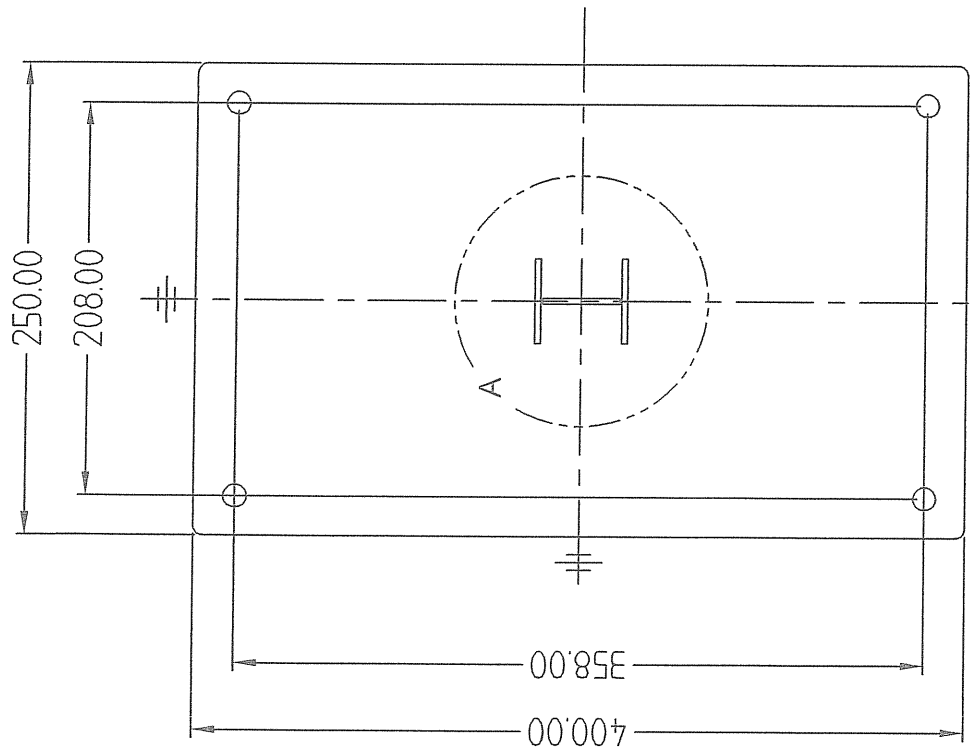
A

CRITICAL DIMENSION

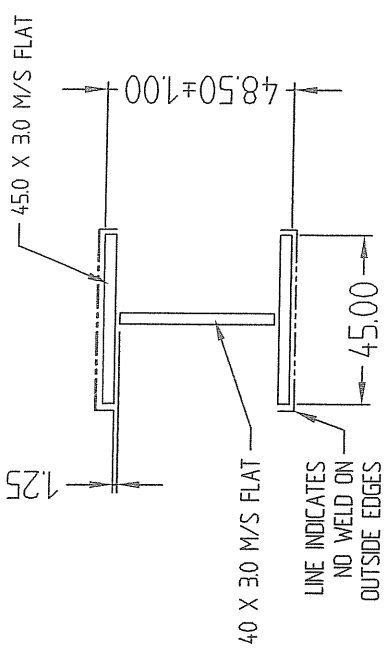
DENOTES SEEN FACE

ALL DIMENSIONS IN MILLIMETRES UNLESS OTHERWISE STATED

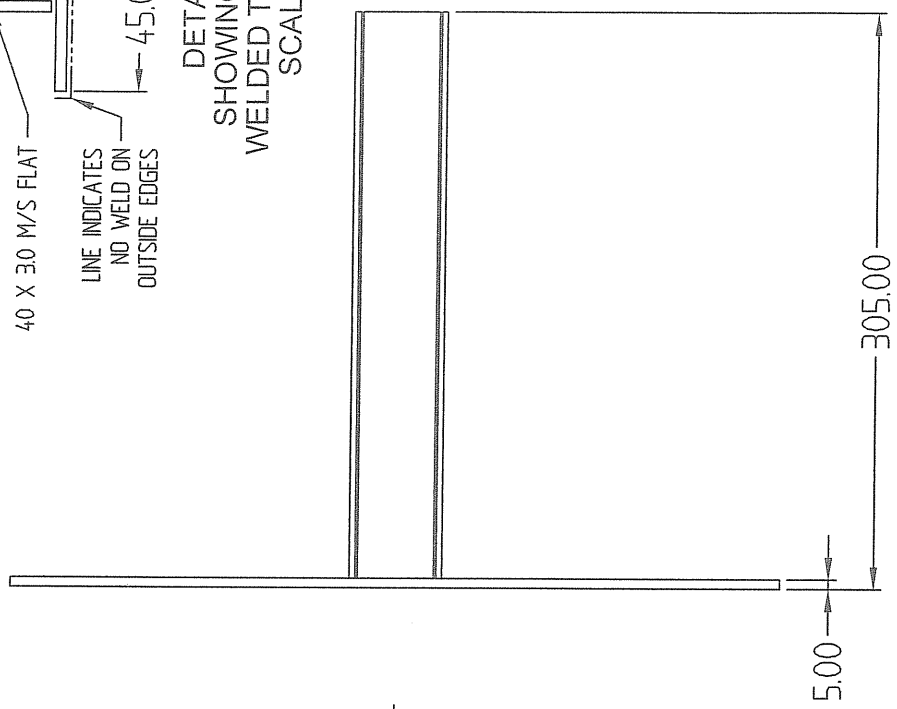
*300 MAT SIZE LP*



ITEM TO BE FINISHED IN LINIAR GREEN GLOSS PAINT



DETAIL A  
SHOWING FLATS  
WELDED TOGETHER  
SCALE 1:2



ISSUE: A DRAWN: CJS	ISSUE: B DRAWN: -	ISSUE: C DRAWN: -	ISSUE: D DRAWN: -	OPERATOR INSPECTION HOURLY	AREA: N/A WEIGHT: N/A LENGTH TOLERANCE: N/A GENERAL TOLERANCE: ±1.0mm UOS	 HL PLASTICS Flamstead House, Denby Hall Business Park, Denby, Derbyshire, DE5 8JX Tel: +44 1332 883800, Fax: +44 1332 883801, sales@hlplastics.co.uk	DRAWN: C. SHARPE WALL THICKNESS: N/A	CHECKED: - APPROVED: -
DATE: 03-04-08	TITLE: HEAVY DUTY BASE	DATE: 03-04-08	TITLE: HEAVY DUTY BASE	3RD ANGLE PROJECTION	SIZE: A4			
CUSTOMER: LINIAR	PART NO: N/A	CUSTOMER: LINIAR	PART NO: N/A	MATERIAL: MILD STEEL				
SCALE: 1 : 4 UOS	DRAWING No: B00291	SCALE: 1 : 4 UOS	DRAWING No: B00291					