

Please complete and return both sheets to roofs@liniar.co.uk or send by fax on 01332 883884

## CUSTOMER DETAILS

Req Delivery Date: \_\_\_\_\_

Client: \_\_\_\_\_

Address: \_\_\_\_\_

Postcode: \_\_\_\_\_

Contact: \_\_\_\_\_

Telephone: \_\_\_\_\_

Fax: \_\_\_\_\_

Email: \_\_\_\_\_

## JOB REFERENCE

Job Reference: \_\_\_\_\_

Delivery Address: \_\_\_\_\_

Postcode: \_\_\_\_\_

Comments: \_\_\_\_\_

## ROOF SPECIFICATIONS

### COLOURS

	White (substrate) White gutter	Light Oak Black gutter	Rosewood Brown gutter	Chartwell Green Black gutter	Black Black gutter	7016 Grey Grey gutter	Irish Oak Black gutter	White (foil) White gutter	Cream (foil) Black gutter
External Colour:	<input type="checkbox"/>	<input type="checkbox"/>	<input type="checkbox"/>	<input type="checkbox"/>	<input type="checkbox"/>	<input type="checkbox"/>	<input type="checkbox"/>	<input type="checkbox"/>	<input type="checkbox"/>
Internal Colour:	<input type="checkbox"/>	<input type="checkbox"/>	<input type="checkbox"/>	<input type="checkbox"/>	<input type="checkbox"/>	<input type="checkbox"/>	<input type="checkbox"/>	<input type="checkbox"/>	<input type="checkbox"/>

### ROOF DIMENSIONS AND PITCH

Int Width: \_\_\_\_\_

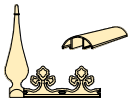
Int Projection: \_\_\_\_\_

Roof Pitch: \_\_\_\_\_

Actual Height: \_\_\_\_\_ Ht. Restrictions: \_\_\_\_\_

### RIDGE DECORATION OPTIONS

Unless otherwise stated finials & crestings will NOT be supplied



- Contemporary Ridge blanking trim
- Traditional Finial and Cresting

### BOTTOM CAP OPTIONS

Unless otherwise stated transom bottom caps will be supplied in Ogee



Ogee



Square

### ROOF VENT OPTIONS

- Standard drop: (800mm)
- Non-Std drop: (Please specify) \_\_\_\_\_ (mm)
- Manual with 1m Gold pole
- Manual with 1m Chrome pole
- Electric with rocker switch
- Full Climate control kit

### STRUCTURAL OPTIONS

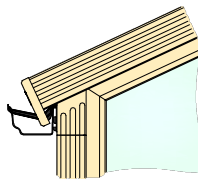
- Alternative eaves mounted Tie-Bars
- Contemporary Tie-Wire

Unless otherwise stated all Tie-Bars will be bar mounted with fixing lugs

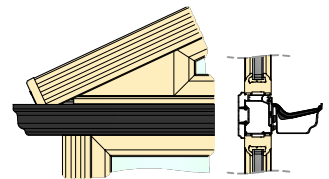
### GLAZING OPTIONS

	24mm	24mm	32mm
Unglazed for 4/16/4mm IGU	<input type="checkbox"/>	Unglazed for Poly	<input type="checkbox"/>
All IGU's Argon filled, with Black Spacers			
	Blue	Bronze	Clear
Clear Low E 1.2	<input type="checkbox"/>	<input type="checkbox"/>	<input type="checkbox"/>
Activ™ 1.2	<input type="checkbox"/>	<input type="checkbox"/>	<input type="checkbox"/>
Activ™ 1.0	<input type="checkbox"/>	<input type="checkbox"/>	<input type="checkbox"/>
Activ™ Sunshield	<input type="checkbox"/>	<input type="checkbox"/>	<input type="checkbox"/>
Bespoke specification	_____		

### LEAN-TO/GABLE OPTIONS



Without Gable Support Beam

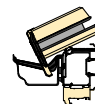


Using Gable Support Beam

### LANTERN ROOF OPTIONS



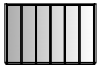
Using Wall Pivot Rail



Using Std Eaves Assembly (Guttering supplied as standard)

## PROPOSED ROOF STYLE

Job Reference: \_\_\_\_\_



Lean-To



Hipped



Georgian



Gable



3-Facet



5-Facet



Dbl Hipped



P-Shaped



Lantern

## PLAN VIEW

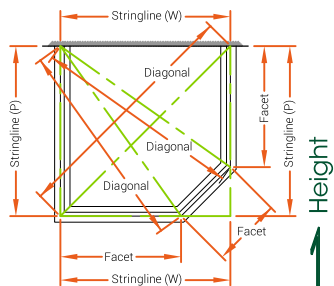
Please draw a sketch of your roof (in PLAN view) giving sizes in mm

Please indicate all walls & box gutters

House Wall

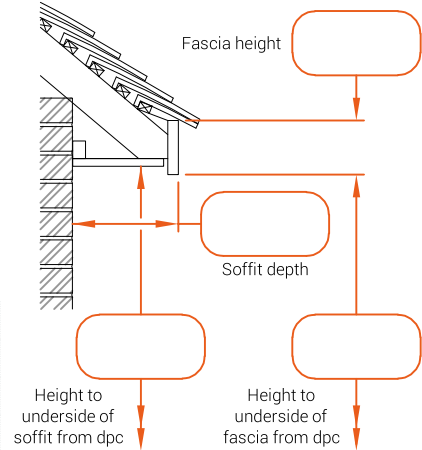
Please include all stringline AND ALL diagonal dimensions of survey

## FRONT ELEVATION SKETCH

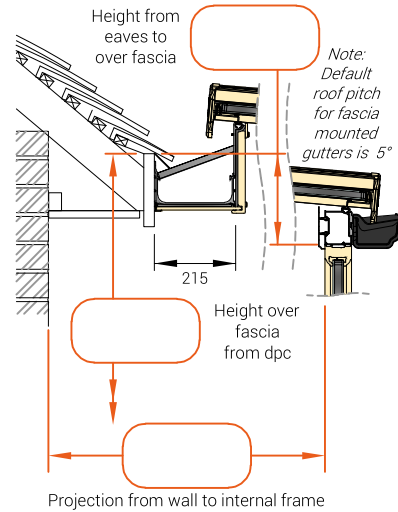


- Show downpipe position by
- Show gully position by
- Show flue position by
- Show Soil & Vent pipe by

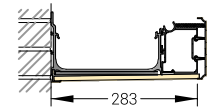
## SOFFIT DETAILS



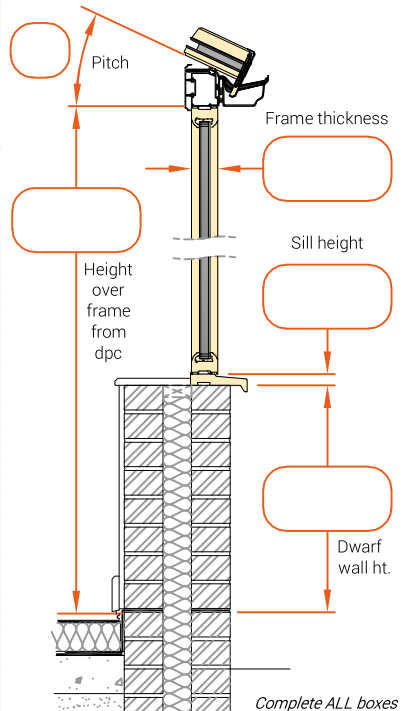
## FASCIA MOUNTED GUTTER DETAILS



## BOX GUTTER DIMENSIONS



## SUPPORTING WINDOW FRAMES



Complete ALL boxes